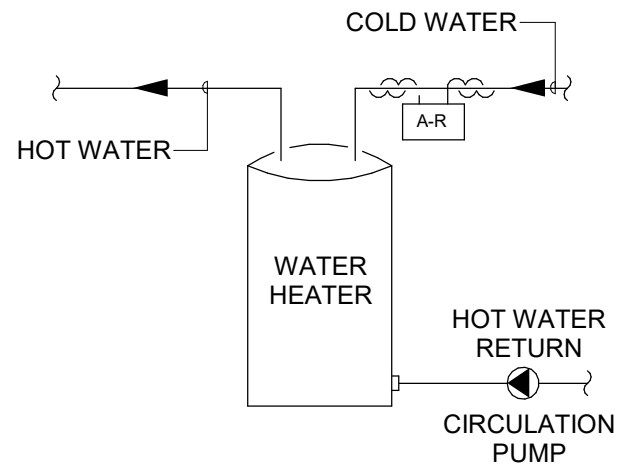


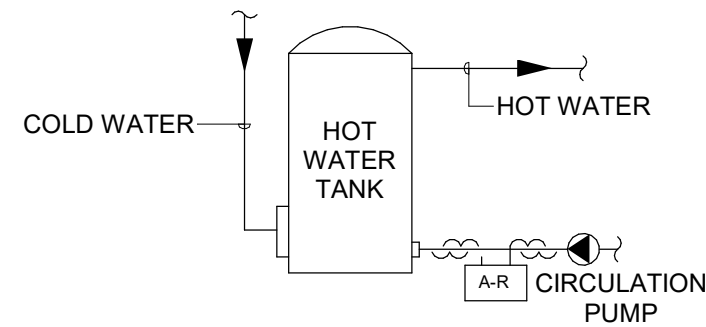
TYPICAL WATER HEATER

1
P501 NOT TO SCALE



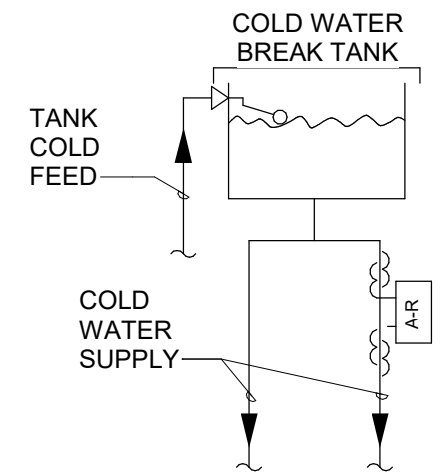
WATER HEATER WITH PUMP

2
P501 NOT TO SCALE



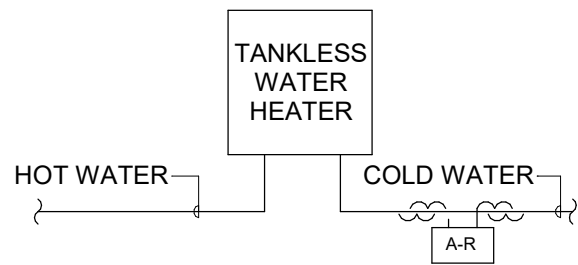
HOT WATER TANK WITH PUMP

3
P501 NOT TO SCALE



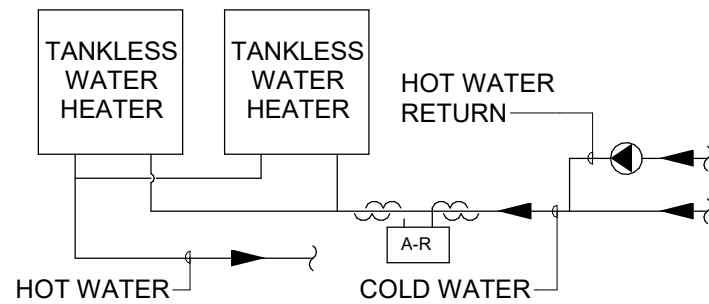
COLD WATER BREAK TANK

4
P501 NOT TO SCALE



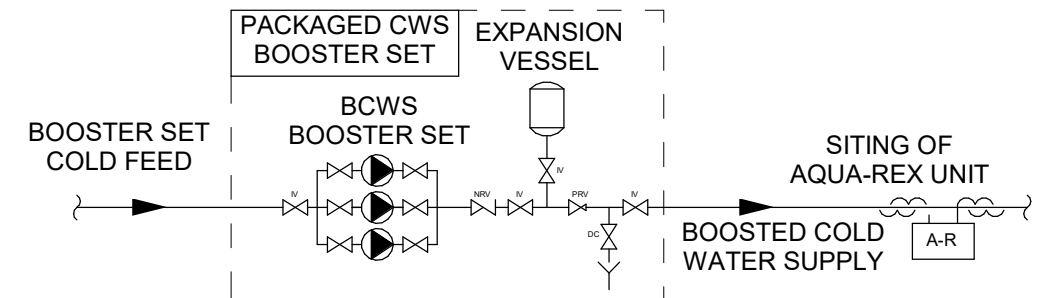
TANKLESS WATER HEATER

5
P501 NOT TO SCALE



DUPLEX TANKLESS WATER HEATING

6
P501 NOT TO SCALE



BOOSTER & CIRC PUMP

7
P501 NOT TO SCALE

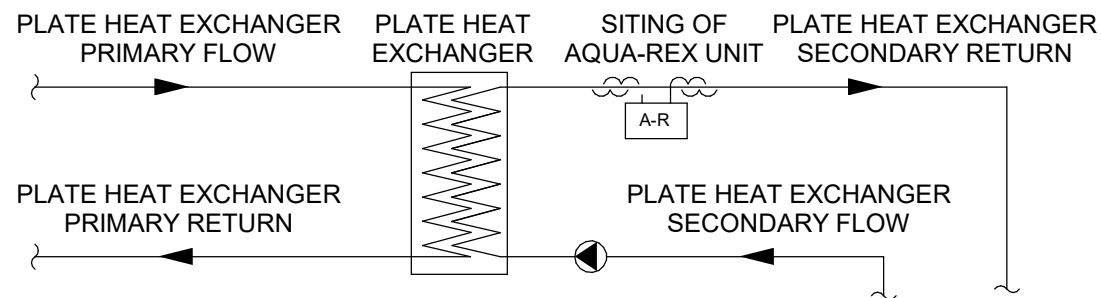
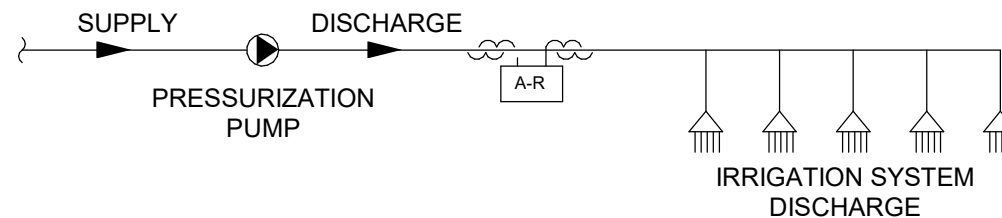


PLATE HEAT EXCHANGER

8
P501 NOT TO SCALE



IRRIGATION SYSTEM

9
P501 NOT TO SCALE



CUSTOM BIM CONTENT
DEVELOPMENT
833-Go-Reviiit

www.BIMConsultingServices.net



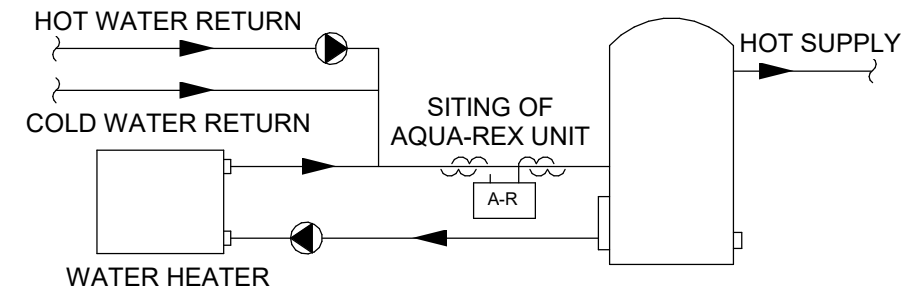
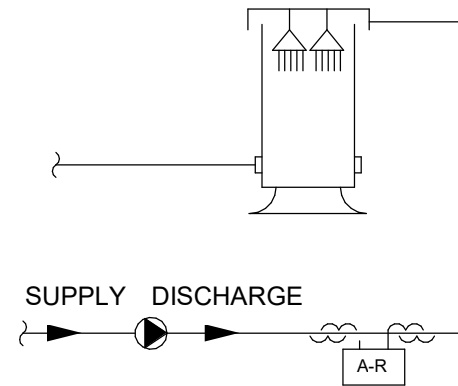
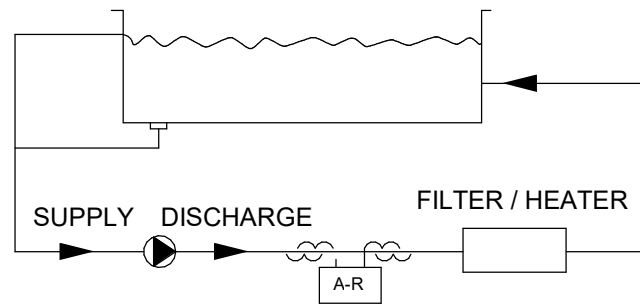
No.	Description	Date

INSTALLATION SCHEMATICS

Project number 19-10-75
Date 10.23.19
Drawn by BCS
Checked by JS

P501

Scale 12" = 1'-0"



1 **SWIMMING POOL RECIRC**
P502 NOT TO SCALE

2 **COOLING TOWER**
P502 NOT TO SCALE

3 **BOILERS**
P502 NOT TO SCALE



CUSTOM BIM CONTENT
DEVELOPMENT
833-Go-Reviit

www.BIMConsultingServices.net



No.	Description	Date

INSTALLATION SCHEMATICS

Project number 19-10-75

Date 10.23.19

Drawn by BCS

Checked by JS

P502

Scale 12" = 1'-0"